



# ONE Quick manual



V 1.01 | October, 2015

Software Release Package 2015\_02

the new single axis compact ONE



www.cmotion.eu

# Before Use

Dear Customer, we would like to take this opportunity to thank you for purchasing the compact ONE Lens & Camera Control System. Please read these Operating Instructions carefully and keep them handy for future reference.

## Information for Your Safety

- Danger of operational error!
- Danger of injury!
- Damage to equipment possible!

## General Safety Precautions

- In order to ensure optimal performance, please read the instructions!
- Do not put your fingers near the motors while motors are moving!
- Make sure all components (*camin*, lens motors, etc.) are securely mounted!
- Remove batteries from components before transport or storage!
- Repairs should only be made only by authorized service centers!
- Use only original cmotion replacement parts!
- In the case of wet weather, routine safety precautions for handling electrical equipment in wet weather should be taken!
- Do not remove any screws that are secured with paint!
- Do not remove any warranty seals!

## Important

- If you have any questions, or you need to order parts, please note the component's model and serial number.
- For support requests, please also advise our team of the installed firmware on all of your system components.
- **WARNING:** cmotion can only guarantee operation if original cmotion products are used.



# compact ONE overview

compact ONE is a straightforward one axis lens control system. The plug-and-play concept provides a very simple set-up so the system is ready to go in as little as 2-3 minutes. The display provides an overview of the motor position, settings and menu options. The lens motor can be calibrated both automatically or manually.

This quick guide will provide an overview of the compact ONE's display, buttons, connectors and cables.

If at any time you want to upgrade your compact ONE system, the full range of cmotion accessories can be found on [www.cmotion.eu](http://www.cmotion.eu). Alternatively, please contact your local reseller or [sales@cmotion.eu](mailto:sales@cmotion.eu)

## Set includes:

- compact ONE camin
- compact ONE hand unit
- Arri CLM-4 motor (incl. 19/15 mm reduction)
- rod connector (incl. 19/15 mm reduction)
- 3 batteries
- battery charger
- 5 marker rings
- power cable (D-Tap)
- travel case

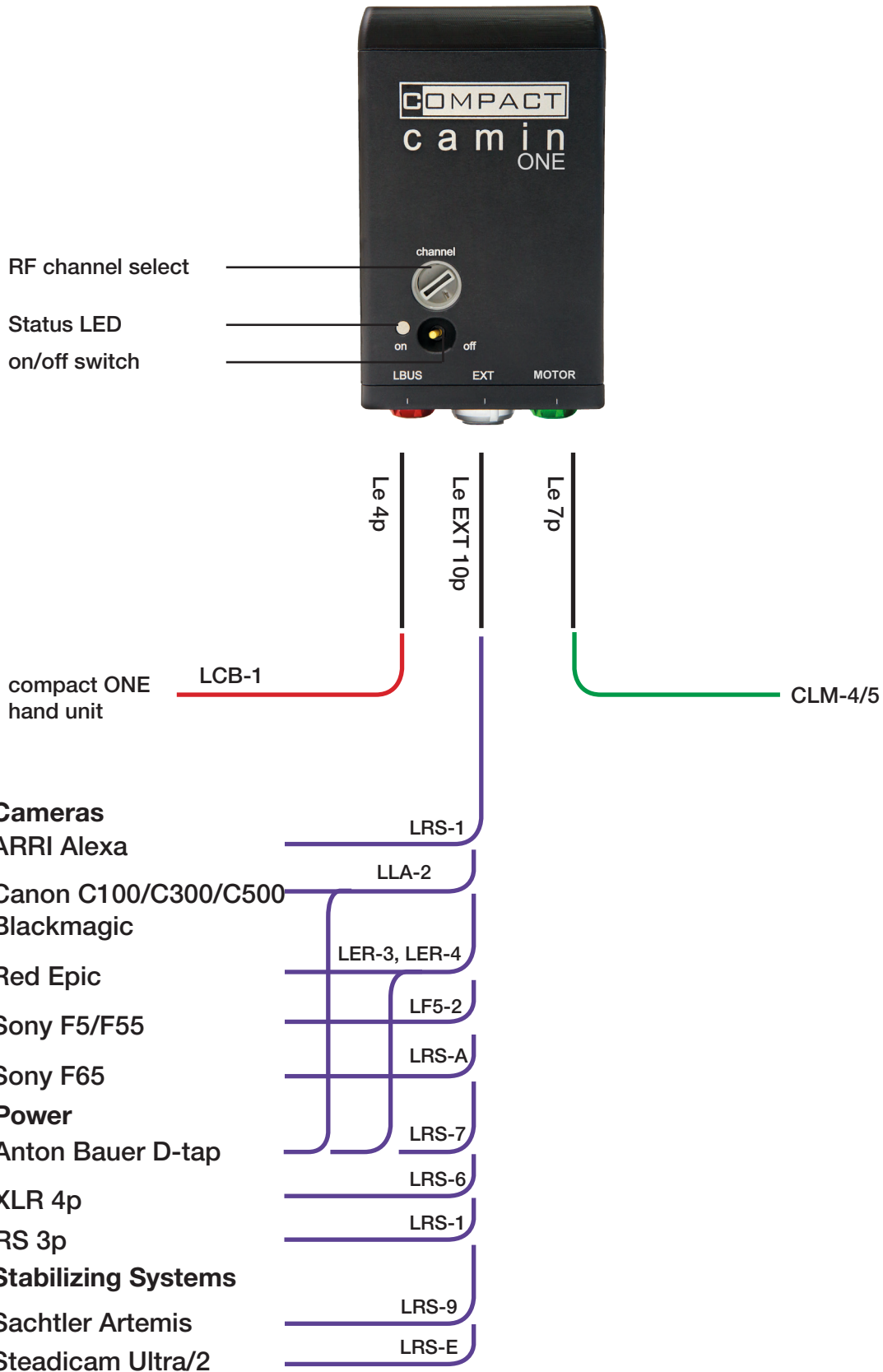




# compact ONE hand unit



# compact ONE camin



## system set up

### **Mounting the CLM-4/5 Motor**

Mount the motor securely on the lens rod and engage the gear with the lens. Use the supplied insert for 15mm rods and smaller pitch gears for video lenses. It is advised not to have the lens resting against one of the end stops before powering the system.

### **Mounting the camin**

The compact ONE camin can be mounted on any 15/19 mm rod using the supplied rod connector. Alternatively, the ¼" thread can be used with industry standard mounting tools.

### **Connecting the Motor to the camin**

Simply connect the motor to the MOTOR port on the compact ONE camin.

### **Power Supply**

Connect the supplied LRS-7 (D-Tap/P-Tap) power cable to the camin's 10p EXT connector. For available power and camera control cables, please check page 5 of this quick guide.

### **Turning on the System**

Use the camin power switch to turn on the system.

### **Turn on the compact ONE hand unit**

Ensure a fully charged battery is inserted into the hand unit. Use the top left button to power on. The hand unit will automatically search for the compact ONE camin with the same RF channel. Once paired, the motor will turn to the absolute position of the focus knob.

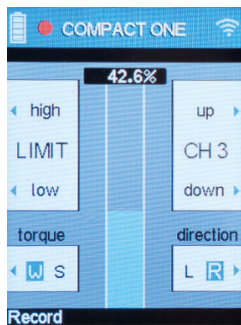


## Settings and functions:

### RF Channel

compact ONE has 8 selectable RF channels (0-7). This can be changed on the camin using the rotary switch and RF Channel UP and DOWN buttons on the hand unit.

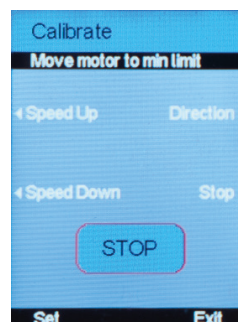
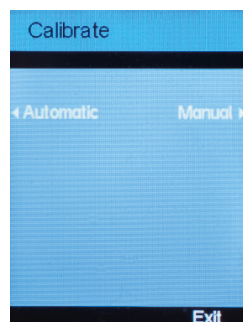
### Record and Record Feedback



Press the record button to start the connected camera recording. Press again to stop. \*Please note that the calibration option is deactivated once the record button has been pressed. A full list of compatible cameras and optional cables are available on page 5. While the camera is running a red REC dot will be visible in the top part of the display if record feedback is available. For more information on record feedback refer to the cmotion cable guide.

### Calibrate

To calibrate the motor press the Calibrate button. Select Auto or Manual calibration from the menu. Move the motor to the min limit of the lens scale. Set direction and speed by selecting the appropriate options from the menu. Press set when done. Now move the motor to the max limit of the lens scale. Press set again.



### Lens Limits

Limiting the rotation of the lens in relation to a full rotation of the focus knob. Turn the lens to your maximum position and press the HIGH button. Then, turn the lens to your minimum position and press the LOW button. Press both buttons again to remove the lens limit, or adjust the limit by pressing either button, moving the motor and pressing the same limit button again.

### Torque Adjustment

Always start your system with the motor torque set to W for weak. If you lens has a high drag, simply press the torque select button to increase the torque setting to S for strong.

### Direction

Press the motor direction button to match the travel of the motor to the direction of the focus knob.



## **contact:**

support@cmotion.eu - for all your technical support enquiries  
sales@cmotion.eu- for all your sales needs and general enquiries

**Why not subscribe to the cmotion newsletter or follow us on facebook and twitter for the latest information, software updates and special offers?**

## **Imprint & Disclaimer**

cmotion GmbH  
Wiedner Hauptstraße 135/B3  
1050 Wien  
Fbnr.: FN220240H – HG Wien  
UID-Nr.: ATU 54026806  
<http://www.cmotion.eu>  
[sales@cmotion.eu](mailto:sales@cmotion.eu)  
+43 1 7891096

**Technical specifications are  
subject to change without notice!**

